

Lubrication and maintenance

Operation

| | Weekly | 1,000 miles (1,500 km) Free service | 3,000 miles (5,000 km) Supplementary service | 6,000 miles (10,000 km) | 12,000 miles (20,000 km) | 18,000 miles (30,000 km) | 24,000 miles (40,000 km) | 30,000 miles (50,000 km) | 36,000 miles (60,000 km) |
|--|--------|--|---|-------------------------|--------------------------|--------------------------|--------------------------|--------------------------|--------------------------|
| Check door operation, locks and hinges | | X | | X | X | X | X | X | X |
| Top-up battery, check connections | X | X | X | X | X | X | X | X | X |
| Top-up radiator coolant | X | X | X | X | X | X | X | X | X |
| Check oil and water leaks | | X | | X | X | X | X | X | X |
| Check all controls, lights, horn, instruments, etc. | X | X | X | X | X | X | X | X | X |
| Check headlamp alignment | | | | X | X | X | X | X | X |
| Check washer reservoir and top-up | X | X | X | X | X | X | X | X | X |
| Check external condition of exhaust system | | | | X | X | X | X | X | X |
| Check and, if necessary, renew windscreen wiper blades | | | | | X | | X | | X |
| Road test | | | | | | | | | |
| Check brake function | | X | X | X | X | X | X | X | X |
| Adjust ignition timing and dwell angle | | X | | X | X | X | X | X | X |
| Adjust carburettor | | X | | X | X | X | X | X | X |

Warning: Emission controlled carburettors require special attention.

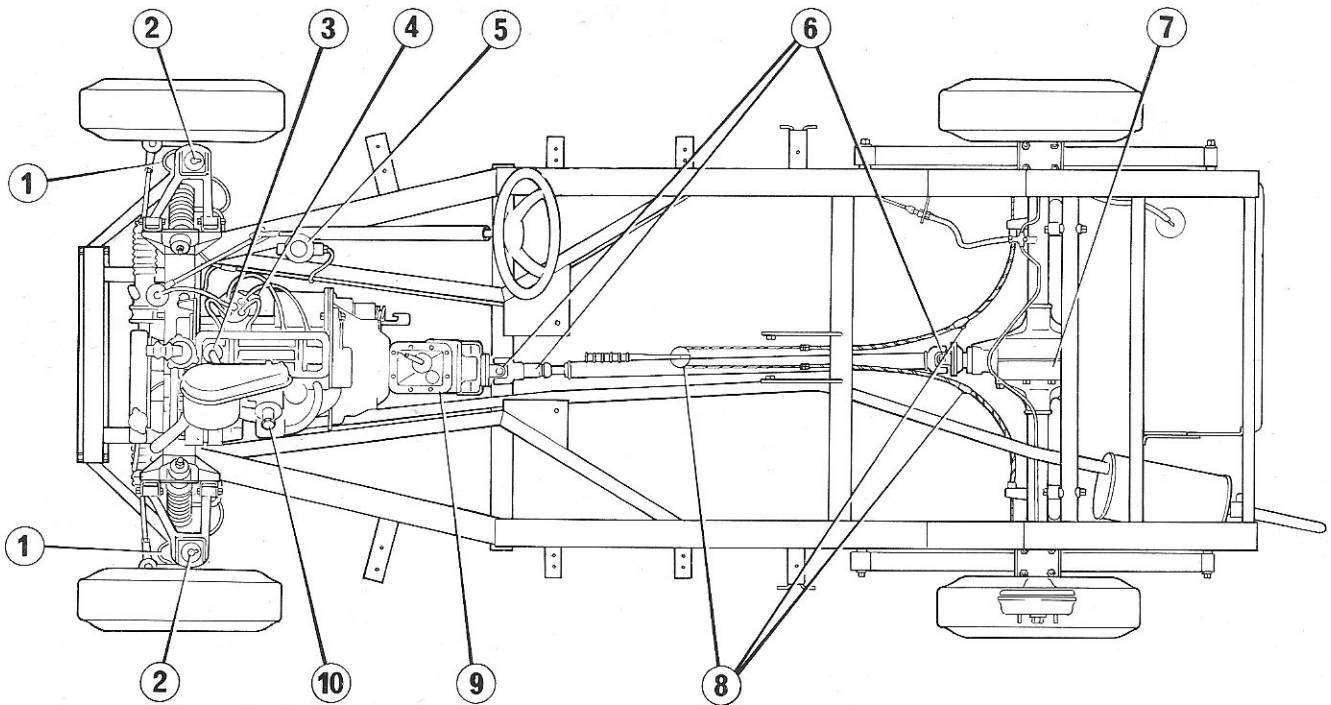


Figure 1 Lubrication points

- | | |
|--------------------|-------------------------------|
| 1 Lower trunnion | 6 Driveshaft |
| 2 Upper ball joint | 7 Rear axle filler/level plug |
| 3 Oil filler | 8 Rear axle |
| 4 Front axle | 9 Rear suspension |
| 5 Steering knuckle | 10 Rear axle |